



**ROTARY
SCREW**

the INFINITY 35

Hydraulic Drive Rotary Screw Air Compressor

BIG ENOUGH FOR THE TOUGHEST JOBS...



SMALL ENOUGH TO BE VERSATILE AND LIGHT WEIGHT!

BOSS[®]
engineered **AIR** systems

A COMPACT, STRATEGICALLY DESIGNED SYSTEM, THE INFINITY 35 INTEGRATES ALL MAJOR COMPONENTS ON A SINGLE FRAME.

FEATURES

Based on the success of our *Series 35*, our new *Infinity 35* takes hydraulically driven Rotary Screw Air Compressors to the next level! Smaller size, less weight, new fan location and can handle temperatures up to 110° ambient. This all new belt-driven rotary screw air compressor incorporates the latest technology to deliver instant pressure and continuous output - 35cfm at up to 175psig. No tanks to fill up, no wasted time, air now and for as long as you need it!

- 20% Size Reduction
- 20% Weight Reduction
- New Protected Fan Location
- Compressor Rated to 110° Ambient
- Same Mounting Pattern and Weather Proof Electrical Connection
- Hydraulic Ports Sized to Hose Sizes

EASE OF MAINTENANCE AND SERVICE

With a built-in access panel, virtually all components are accessible for maintenance and service. Other features include a spin-on oil compressor oil filter and separator element manifold, reduce the time and costs associated with routine maintenance.

PERFORMANCE @ 35cfm

Hydraulic Requirements

Delivery @ 110psig	13.5gpm	1500psig
Delivery @ 150psig	13.7gpm	1800psig
Delivery @ 175psig	14.0gpm	2100psig

SIMPLE INSTALLATION AND FLEXIBLE CONFIGURATIONS

A hydraulic manifold block with relief and solenoid valves simplifies installation. The compact, strategically engineered design allows the compressor to fit just about anywhere on your crew truck's body.

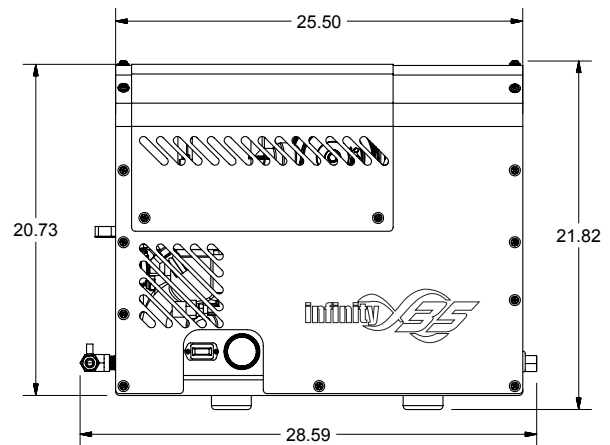
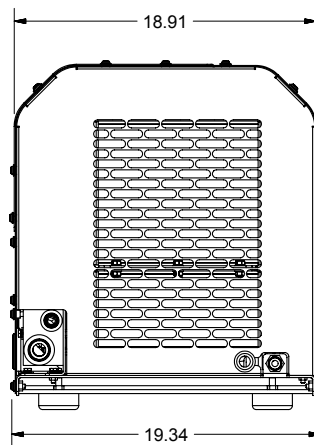
COMPREHENSIVE SYSTEM

The *Infinity 35* includes all major components - the airend, oil receiver tank, thermal valve, air inlet filter, and air pressure regulator - mounted on a single, common frame and enclosed in an aluminum canopy. The system also incorporates a hydraulic cooler in conjunction with the compressor cooler as standard equipment. Instrumentation clearly displays pressure and operating hours.

SPECIFICATIONS

Electrical	12v (24v Optional)
Oil Sump Capacity	1 Gallon
Ambient Temp	-20° F to 110° F
Air Intake Type	2 Stage Dry Type
Type of Control	0-100% Demand
Hydraulic Port Inlet	10 SAE
Hydraulic Port Outlet	16 SAE
Air Outlet	½" NPT
Dimensions	28.89"L x 19.34"W x 21.82"H
Weight	200lbs (90.7kg)

Infinity 35 Dimensions



BOSS INDUSTRIES, LLC.

DISTRIBUTED BY: