

**ROTARY
SCREW**

the INFINITY 100 and 185

Module Abovedeck Hydraulic Drive Air Compressor



INFINITY 185



INFINITY 100

more air solutions at
BOSSair.com

BOSS[®]
engineered **AIR/POWER** systems

INFINITY 100 and 185

Module Above-deck Hydraulic Drive Air Compressor

FEATURES

The **BOSS® INFINITY 100 AND INFINITY 185** advanced design allows you the option to choose any CFM output up to 100cfm (*INFINITY 100*) or 185cfm (*INFINITY 185*). By simply adjusting hydraulic flow to the compressor, the system will produce up to 100cfm at 110psig continuously (*INFINITY 100*) or 185cfm at 110psig continuously (*INFINITY 185*).

Now, when you need that extra boost, you have it.

The **BOSS INFINITY 100** and **INFINITY 185** module units are fully self-contained and compact. These compact designs make mounting possible even in tight spaces.

Installation is simple too. Just bolt the unit to the deck of your vehicle, connect your hydraulic system, wire to a 12vdc source and it's ready.

STANDARD EQUIPMENT

- Integrated compressor oil cooling package with automatic thermal sensing control to ensure proper operating temperatures
- Hydraulic motor directly coupled to geared air end
- Self-contained separator element with easy access spin-on housing
- Replaceable spin-on compressor lubricant filter with safety bypass and 25-micron rating
- Two-stage, dry-type air intake filter with replaceable element and gravity evacuator
- Instrumentation to include: hour meter, compressor lubricant temperature gauge and air pressure gauge
- Integrated receiver tank with filler port and drain valve
- All components are frame mounted, plumbed and wired
- Safety devices to included: minimum pressure device, compressor lubricant high temperature and high-pressure safety system, automatic blowdown device, high-pressure relief valve and necessary warning and information decals
- Optional hydraulic system oil cooling packages available upon request (recommended)
- 14 gauge aluminum, rust proof enclosure
- Two-year warranty air end

SPECIFICATIONS

INFINITY 100 ROTARY SCREW AIR COMPRESSOR

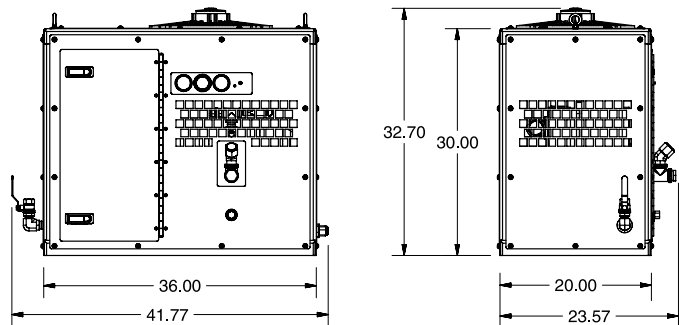
Delivery @110psig*	CFM	65	75	85	95	100
Input speed rpm to compressor	RPM	1945	2250	2500	2750	2900
Standard motor "A" @2400psig	GPM	14.1	16.3	18.2	XX	XX
Standard motor "B" @1900psig	GPM	18.5	21.4	23.8	26.2	27.6
Fluid capacity	2.5 gallons					
Compressor System	(Overall dimensions)					
Compressor Module	20" W x 30" H x 36" L					
Weight (Wet)	375 pounds					

*150 and 200psig options available. Consult factory.

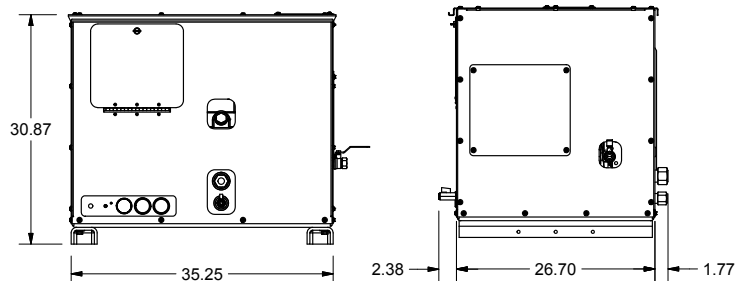
INFINITY 185 ROTARY SCREW AIR COMPRESSOR

Delivery @110psig*	CFM	125	160	185
Input speed rpm to compressor	RPM	1450	1875	2160
Hydraulic fluid required @2200psig	GPM	29.4	38.0	43.8
Fluid capacity	3 gallons			
Compressor System	(Overall dimensions)			
Compressor Module	26.70" W x 30.87" H x 35.25" L			
Weight (Wet)	700 pounds			

*125 and 150psig options available. Consult factory.



INFINITY 100 dimensions



INFINITY 185 dimensions



BOSS INDUSTRIES, LLC.

DISTRIBUTED BY:

Summit Equipment Outlet, LLC
www.worktruckoutfitters.com
 877.256.8665

Specifications subject to change without notice.

©2020 Boss Industries, Inc. Printed In U.S.A. INFINITY 100/185. 250. 02/10/2020. BI